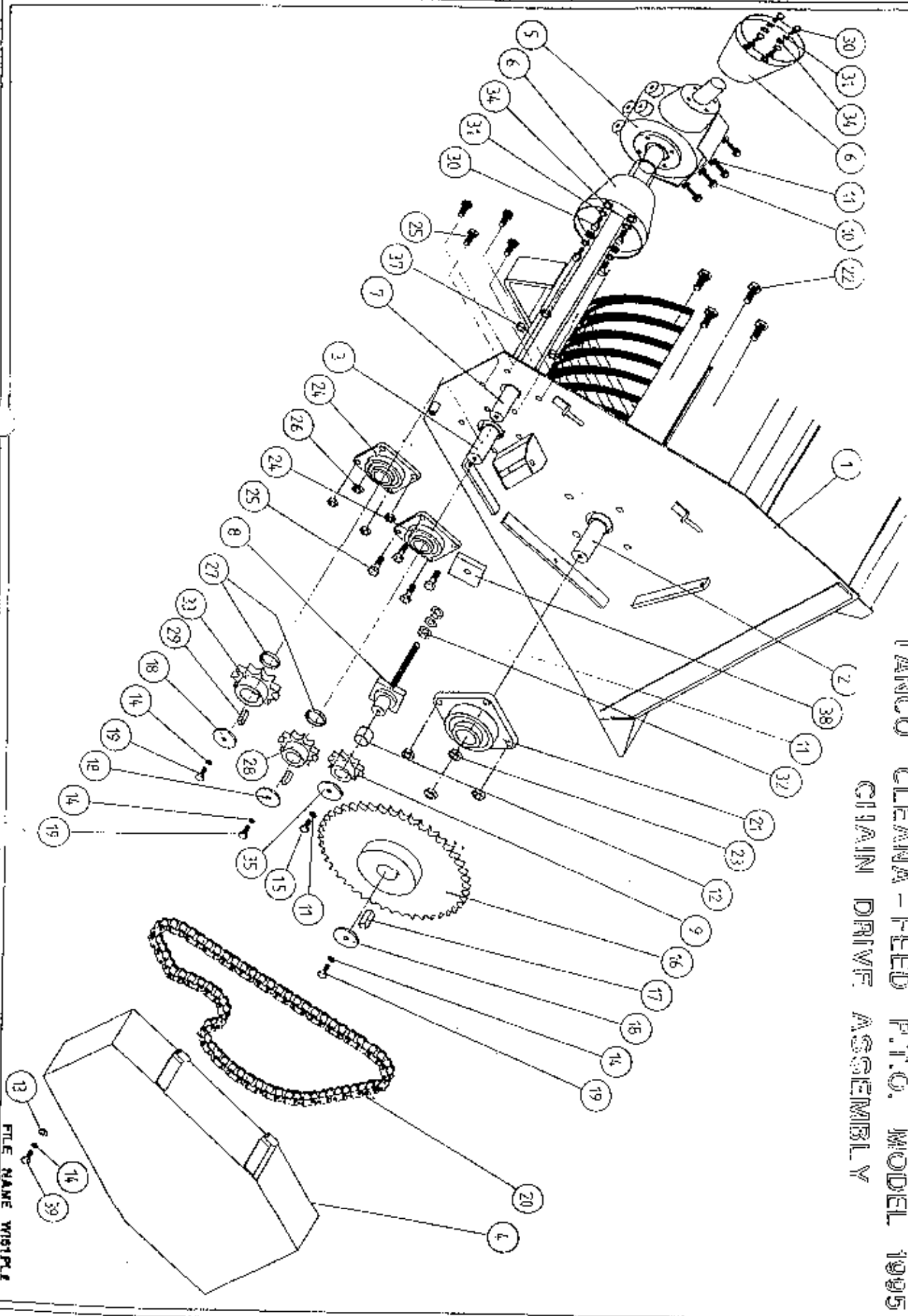


**TANCO "CLEANA-FEED"
P.T.O. MODEL 1995
OPERATORS HANDBOOK
AND
PARTS LIST
Wi61 - M1095**

WANCO CLEANM - FEED P.T.O. MODEL 1005
CHAIN DRIVE ASSEMBLY



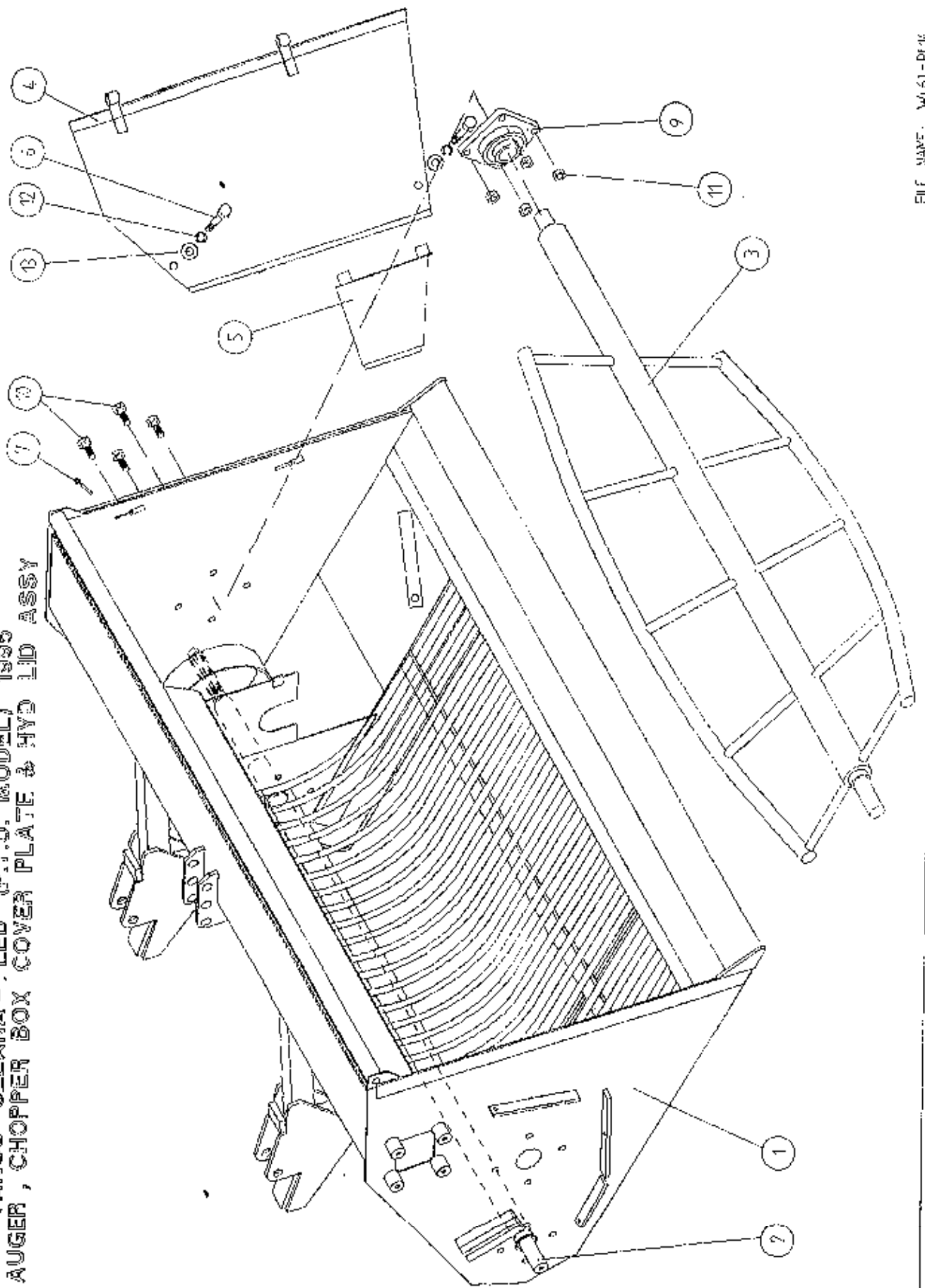
TANCO CLEANA-FEED P.T.O. MODEL (1995)

CHAIN DRIVE ASSY

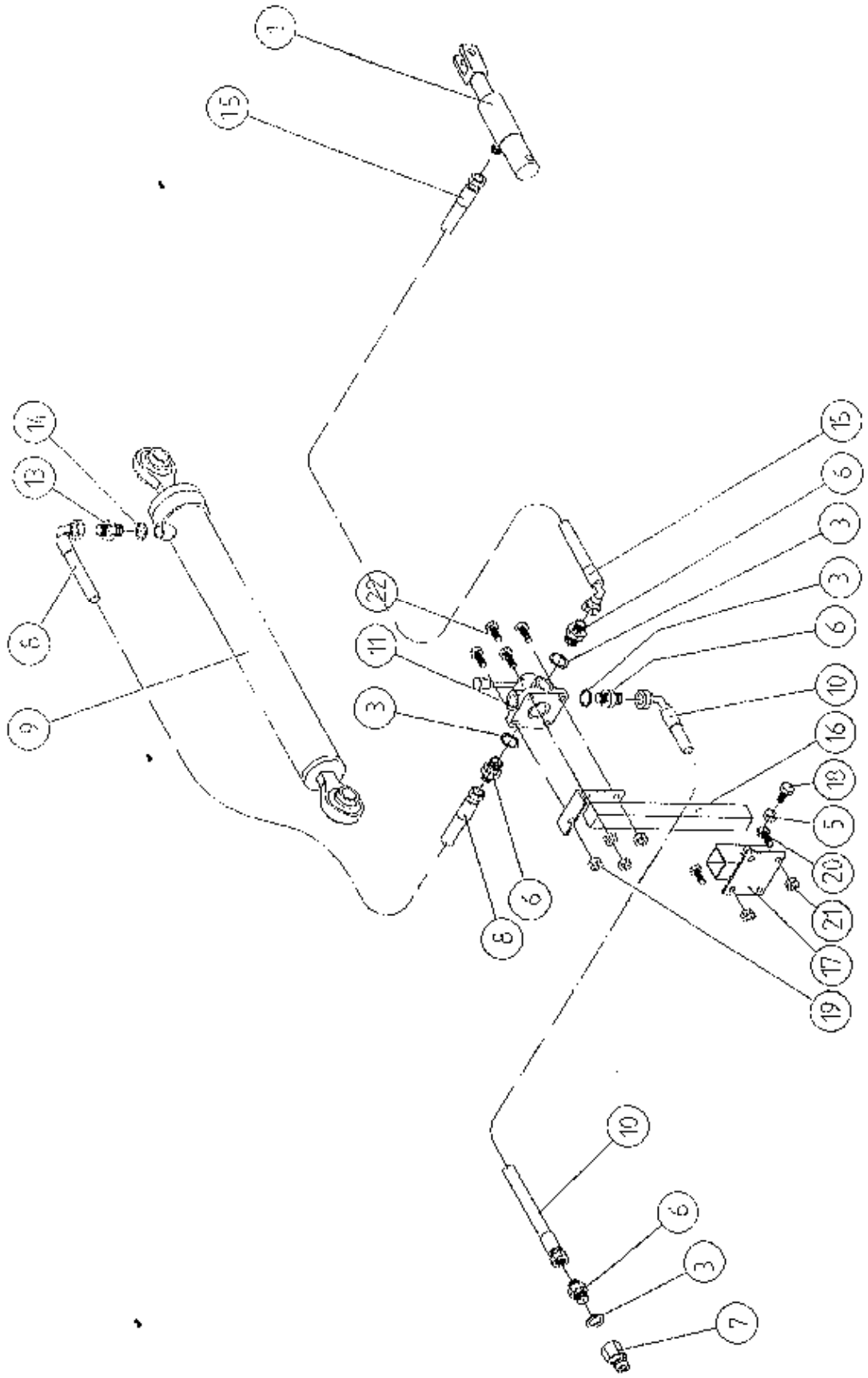
PARTS LIST

ITEM NO.	DESCRIPTION	QTY	PART NO.
1.	MAIN FRAME ASSY	1	W161-MF
2.	AGITATOR (INPUT SHAFT)	1	W160-AGA
3.	AUGER SHAFT	1	W160-ASA
4.	CHAIN GUARD	1	W161-MG
5.	P.T.O. GEARBOX	1	Z01-25-06
6.	P.T.O. GUARD	2	Z01-25-051
7.	DRIVE SHAFT ASSEMBLY	1	W161-DSA
8.	CHAIN TENSIONER BRACKET	1	W161-CTBA
9.	TENSIONER SPROCKET	1	Z06-I61-50
10.	M12 HEX HD SET X 25MM LONG	4	Z26-081S
11.	12MM DIA SPRING WASHER	6	Z12-02-12
12.	OILITE BUSH 1 1/4" DIA	1	Z03-20-22
13.	COLLAR	1	W160-178
14.	10mm SPRING WASHER	4	Z12-02-10
15.	M12 HEX HD BOLT X 100MM LONG	1	Z26-092B
16.	1" PITCH B.S. SPROCKET 45T 2" BORE	1	Z06-I60-045
17.	5/8" SQ KEY x 45mm LONG	1	WM55-KS58
18.	LOCKING COLLAR	3	W160-090
19.	M10 HEX HD SET x 25mm	3	Z26-061S
20.	1" PITCH BS CHAIN x 68 LINKS (INCLUDING JOINER)	1	Z09-I60
21.	FLANGE BEARING 2"DIA (UCF 211E-32)	1	Z06-49
22.	M16 H/T HEX. HD. SETS x 45mm LONG	4	W160-100
23.	M16 LOCKNUTS	4	Z23-16
24.	FLANGE BEARING 1.1/2"DIA (UCF 208E-24)	2	Z06-06
25.	M12 HEX HD. SET x 40mm	6	Z26-084S
26.	M12 LOCKNUTS	4	Z23-12
27.	SPACER	2	W160-092
28.	1" PITCH B.S. SPROCKET 11T 1.5" BORE	1	Z06-I60-047
29.	7/16" SQ KEY x 38mm LONG	2	W160-KS716
30.	M8 HEX HD SET X 16MM LONG	8	Z26-038S
31.	8MM DIA SPRING WASHER	8	Z11-02-08
32.	M12 HEX NUT	2	Z18-12
33.	1" PITCH B.S. SPROC. 15T 1.5" BORE	1	Z06-I60-046S
34.	8MM DIA MUD FLAP WASHER	8	Z11-02-081
35.	LOCKING COLLAR	1	W161-509
36.	M12 HEX HD SET x 30mm LONG	2	Z26-082S
37.	M12 LOCKNUT (BINX)	4	Z23-12BX
38.	LOCKING PLATE	1	W160-094
39.	M10 HEX HD SET X 20MM LONG (TUFLOCK)	1	Z26-060ST

TANCO CLEANA-FEED (P.T.O. MODEL) 1955
AUGER, CHOPPER BOX COVER PLATE & HYD LID ASSY



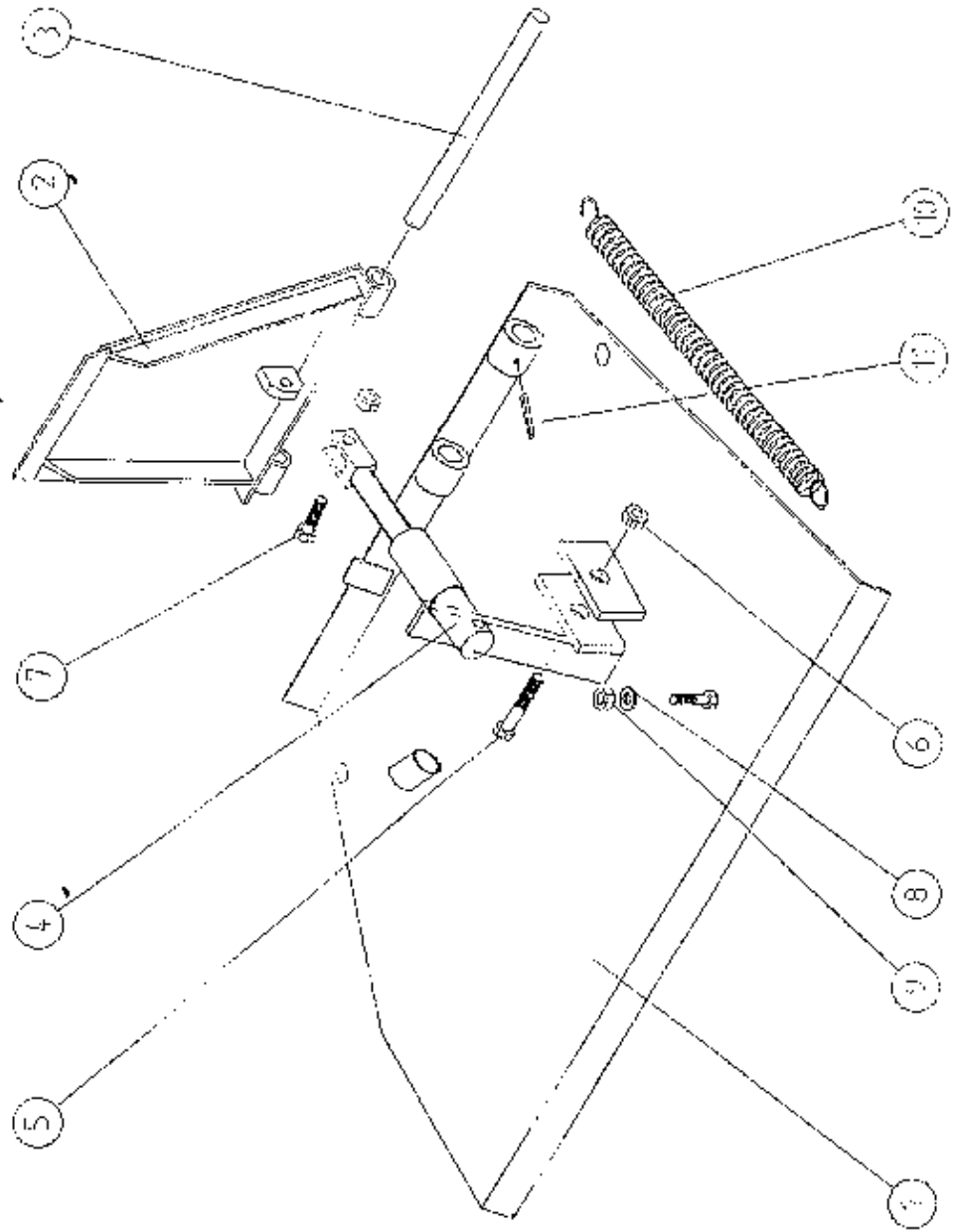
TANCO CLEANA - FEED P/TU MODEL
HYDRAULIC COMPONENTS



TANCO CLEANA-FEED (P.T.O. MODEL)
HYDRAULIC COMPONENTS
PARTS LIST

ITEM NO	DESCRIPTION	QTY	PART NO
1.	HYDRAULIC CYLINDER	1	M2129C
2.	1/2" DOWTY WASHER	4	Z01-04-03
3.	M10 HEX NUT	1	Z18-10
4.	1/2" MALE x 3/8" MALE ADAPTOR	3	Z01-06-06-08
5.	1/2" MALE Q/R COUPLING	1	Z01-15-081
6.	60" ST/D90 3/8" D/W HOSE	1	Z38-R2-60 S9
7.	HYDRUALIC TOP LINK 29" C.C.	1	Z01-01-TL29S
8.	48" ST 90 3/8" D/W HOSE	1	Z38-R2-48-S9
9.	3 WAY DIVERTER VALVE 1/2" BSP	1	Z01-03-102
10.	3/8" x 3/8" MALE/MALE ADAPTOR	1	Z01-06-06-06
11.	0.060 RESTRICTOR		
12.	3/8" DOWTY WASHER	1	Z01-04-02
13.	120" ST/90 3/8" D/W HOSE	1	Z38-R2-120-S9
14.	DIVERTOR VALVE MOUNTING BRACKET	1	W160-DVM1
15.	SOCKET FOR VALVE MOUNTING BRACKET	1	W160-SVM1
16.	M10 HEX HD SET x 30mm LONG	1	Z26-052S
17.	M6 LOCKNUT	4	Z23-06
18.	M8 HEX HD BOLT x 40mm LONG	2	Z26-043B
19.	M8 LOCKNUT	2	Z26-08
20.	M6 HEX HD SET x 30mm LONG	4	Z26-022S

TANCO CLEANA - FEED
CHOPPER BOX COVER PLATE & HYDRAULIC LID ASSEMBLY



TANCO CLEANA-FEED (1995 MODEL)
 CHOPPER BOX COVER PLATE AND HYD. LID ASSY'S
 PARTS LIST

ITEM NO	DESCRIPTION	QTY	PART NO
1.	CHOPPER BOX COVER PLATE ASSY.	1	Wi60-CBCP
2.	HYDRAULIC DOOR ASSY.	1	Wi60-HDA
3.	HYD. DOOR PIVOT PIN	1	Wi60-106
4.	HYDRAULIC CYLINDER	1	M2129C
5.	M12 HEX HD BOLT x 75mm LONG	1	Z26-089B
6.	M12 LOCKNUT	2	Z23-12
7.	M12 HEX HD SET x 40mm LONG	1	Z26-084S
8.	12mm FLAT WASHER	1	Z11-02-12
9.	M10 LOCKNUT	1	Z23-10
10.	SPRING LARGE B/C	1	Z07-01
11.	1 1/2" x 3/16" TENSION PIN	1	Z03-20-05

TANCO CLEANA-FEED (1995 MODEL)

AUGER, CHOPPER BOX COVER PLATE & HYD DOOR ASSY

PARTS LIST

ITEM NO	DESCRIPTION	QTY	PART NO
1.	MAIN FRAME ASSY.	1	WI61-MF
2.	AUGER SHAFT	1	WI60-ASA
3.	AGITATOR ASSY.	1	WI60-AGA
4.	CHOPPER BOX COVER PLATE	1	WI60-CBCP
5.	HYDRAULIC DOOR	1	WI60-HDA
6.	M12 HEX HD. SET x 40mm LONG	4	Z26-084S
7.	1 1/2" X 3/16" DIA SPLIT PIN	1	Z03-21-14
8.	REPLACEMENT TIPS (WELD ON)	17	WI60-014
9.	FLANGE BEARING 2" UCF211E-32	1	Z06-49
10.	M16 HEX HD SET x 45mm LONG	4	Z26-123S
11.	M16 LOCKNUTS	4	Z23-16
12.	12mm DIA SPRING WASHER	2	Z12-02-12
13.	COLLAR	2	WI60-179